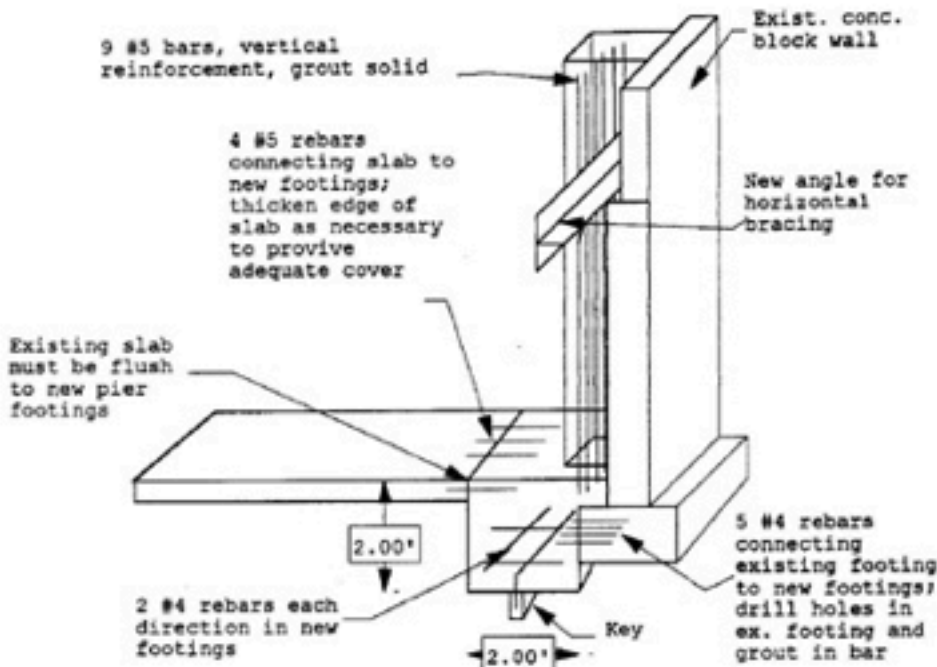




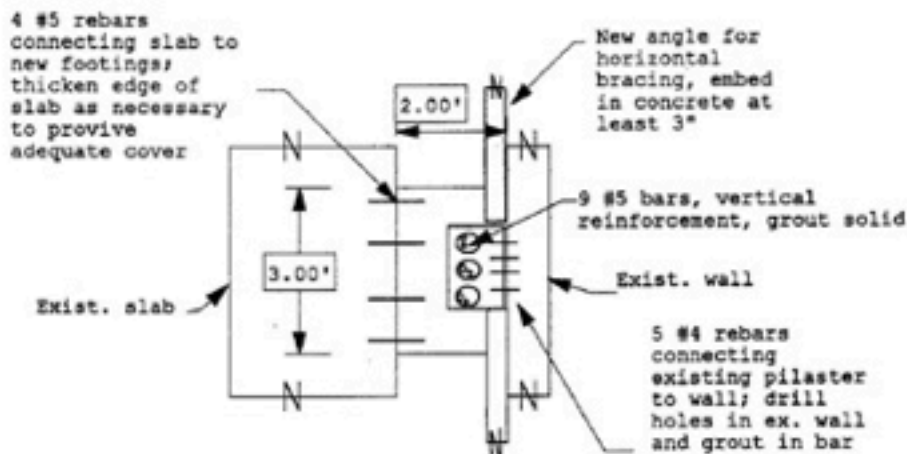
2-story residence, Parsippany, New Jersey

Problem: Foundation walls failed due to lateral soil pressure.
 Solution: Designed and built structural pilasters to stabilize walls.



Isometric View of Typ. Pilaster

Not to Scale



Plan View Detail of Typ. Pilaster

Scale: 1" = 2.5'